

# ARCHITECTURAL HARDWARE

## Lockcases

*Keeping people safe and secure  
where they live, work and visit.*



**ALLEGION™**

## Comprehensive solutions for commercial and residential applications

### The basics of mechanical locking

For most doors, particularly internal doors, a mechanical lockcase represents the most effective and direct means of providing privacy and security for commercial applications, and for all residential applications.

Mechanical locks fall into three principal categories:

- Mortice cylinder locks & latches
- Mortice lever locks & latches
- Rim/surface mounted locks & latches

### Cylinder lockcases

The use of cylinder lockcases in commercial applications is widespread, offering the following:

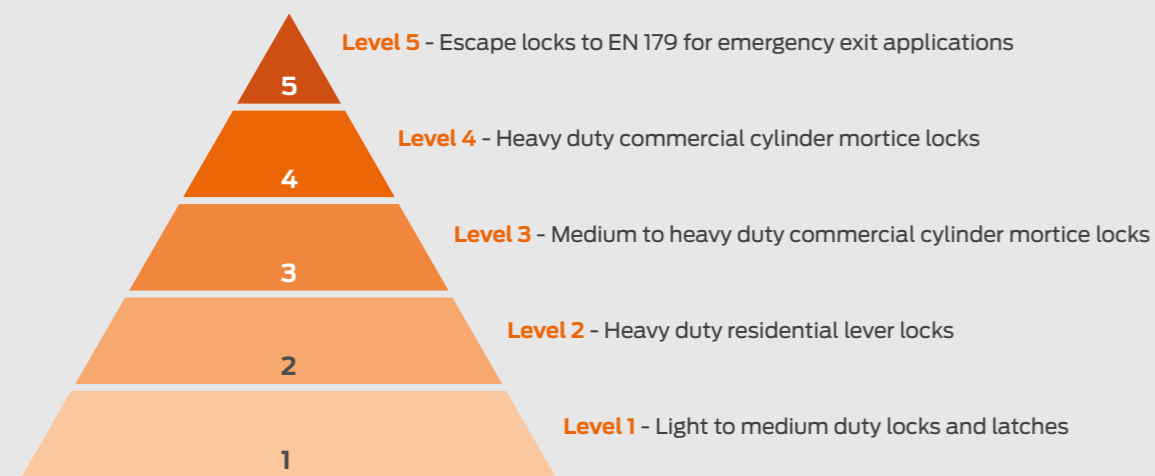
- Modular dimensions across a range of functions allows factory preparation of doors & frames
- Simple replacement of the cylinder if keys are lost or stolen
- Cylinders available with various functions to fine tune the operation of the lock
- Cylinders enable sophisticated multi-level masterkeying for access control

### Residential lockcases

Lever locks & latches and rim mounted locks & latches are predominantly used in residential applications on external and internal doors. In the case of BS 5 lever locks, they represent a relatively high level of security but without the flexibility of operation offered by a cylinder lock. For internal doors they offer a level of security to deter opportunist thieves and a reasonable degree of privacy suitable for domestic use.

### Performance levels

Our multi-level approach to mechanical locking ensures there is a solution for all projects, applications and budgets.



### Escape functions

Where locks are incorporated in doors which are on an escape route in an office suite for example, lock cases should be certified to EN 179 for emergency exit use in addition to EN 12209 (as they have to be tested to both standards).

Escape function locks are designed so that they can be operated by a single action on the lever, in the direction of the escape route, which will withdraw the latchbolt and the deadbolt simultaneously to give immediate escape.

Escape locks are certified for use with specific lever furniture which has been assessed as suitable for use in an emergency application. The furniture is supplied with special split spindles which allow the internal and external handles to operate independently.

**CE Mark explained**  
Mechanical locks and latches intended for use on fire/smoke control doors are covered by the harmonised standard EN 12209 which sets out the requirements for testing and classifying locks suitable for CE marking in accordance with the Construction Products Regulation. We recommend the use of a CE marked lockcase is the best way of ensuring the product you are using is fit for purpose and meets all legal requirements, particularly when used on fire doors.

### Locks on escape routes

Locks fitted to doors which are on a defined emergency escape route must also be tested in accordance with EN 179 and CE marked. The 9 digit code produced by assessment and testing defines the type of operation and the performance of each lock.

For more information on EN 179 please refer to page 150.

### The Equalities Act - disability legislation

Legislation aimed at providing universal accessibility of buildings requires service providers to make "reasonable adjustments to the physical features of their premises to overcome barriers to access".

To meet obligations under the Equalities Act, Approved Document M (ADM) of The Building Regulations and BS 8300 the following guidance relating to lock and latch cases is provided:

- The minimum distance from the door edge to the centre of the keyway (backset) – BS 8300 states a minimum of 54mm
- The distance between the handle follower and the centre of the keyway (lock centres) – BS 8300 states a minimum of 72mm
- 'Lever handles should be used wherever possible in conjunction with an upright mortice lock/latch' (BS 8300)

Lockcases which comply with the recommendations for accessibility can be identified with this symbol.



### Kitemark

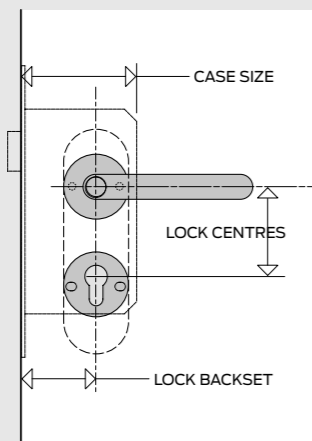
BS 3621:1980  
Licence KM6662

BS3621 remains the most popular standard for domestic lockcases and has been adopted by most insurance companies as the benchmark for security. Locks tested and approved to the standard may carry the famous kitemark to attest that the lockcase has successfully undergone tests against the most common forms of attack such as drilling.

### Our Recommendation

For commercial buildings we recommend the use of European style lockcases which have 72mm centres and a minimum of 60mm backset in line with the guidance of BS 8300. The Briton 5600, 5500 and 5400 Series euro profile cylinder mortice lockcases have been designed specifically to meet the requirements of the European standard EN 12209 and are CE marked where appropriate. Look out for locks with the CE symbol.

For residential applications, we recommend the use of BS 5 lever lockcases for all external doors.



### Replacing an Existing Lockcase

If you are replacing an existing mortice lockcase you can find out the size you require by:

- Simply measuring from the centre of the keyhole to the forend of the lock. - this gives you the backset measurement..
- Measure the distance from the cylinder aperture to the lever follower - this gives you the lock centres measurement.

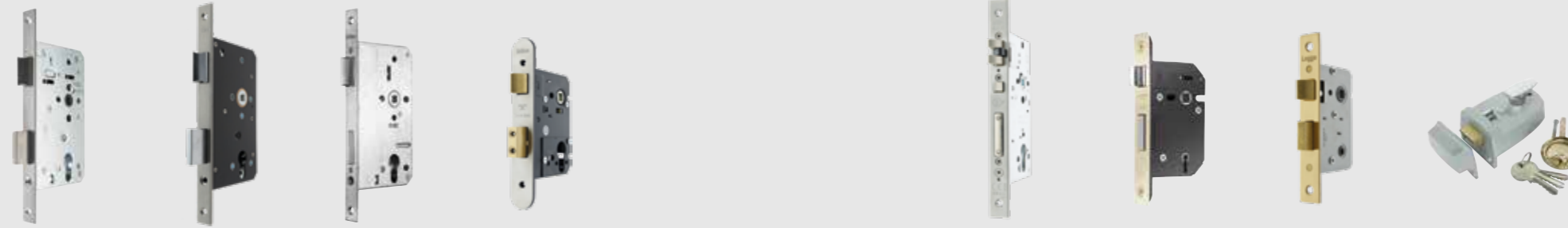
## EN 12209 & EN 179

Physical characteristics of type, operation and performance of lockcases is tested/assessed in accordance with EN 12209 (and EN 179 for locks on escape routes). This produces an 11 digit (EN 12209) and 9 digit (EN 179) classification code which allows comparison between different locks that conform to the standard. See examples below.

For guidance on EN 179 please refer to our Emergency Exit Solutions on page 150.

EN 12209	Scope	Grades
<b>3</b> 1-3	<b>Category of use</b> Defines frequency of use	Grade 3 - High frequency of use by public or others with little incentive to take care and with a high chance of misuse - eg. public doors
<b>X</b> A-X	<b>Durability</b> Performance testing of the product through various cycle tests. Durability and load on latchbolt are identified	Grade X - 200,000 test cycles with 120N side load on latch bolt
<b>8</b> 1-9	<b>Door mass &amp; closing force</b> The mass of the door that the product can suitably be used on	Grade 8 - Up to 200kg door mass, 15N max. closing force.
<b>1</b> 1	<b>Fire resistance</b> Suitability for use on fire/smoke door assemblies having successfully completed a fire test to EN 1634.	Grade 1 - Suitable for use on fire/smoke resisting assemblies subject to satisfactory fire testing or assessment
<b>0</b> 0	<b>Safety</b> Safety category for the product type	Grade 0 - No safety requirement
<b>G</b> 0-G	<b>Corrosion resistance</b> Level of corrosion resistance to EN 1670 Neutral Salt Spray test and operation of the product at extreme temperatures	Grade F - High resistance -20 °C to +80 °C Grade G - Very high resistance 240 hours salt spray at -20 °C to +80 °C
<b>4</b> 1-7	<b>Security</b> Security and drill resistance levels are identified	Grade 4 - High security with no drill resistance
<b>B</b> A-T	<b>Field of door application</b> Defines the application the product is suitable for	Category A - Mortice type with unrestricted application Category B - Hinged doors in a mortice application without forend support
<b>A</b> 0-H	<b>Type of key operation</b> Defines the type of key operation and locking type	Grade 0 - Not applicable Grade A - Cylinder lock or latch, manual locking
<b>2</b> 0-4	<b>Type of spindle operation</b> Method of operation and compatible door furniture	Type 2 - Lock or latch for unsprung lever handle operation
<b>0</b> 0	<b>Key identification requirement</b> Number of detaining elements and effective differs	Category 0 - No requirement for key identification

# Lockcases - Overview & Selector



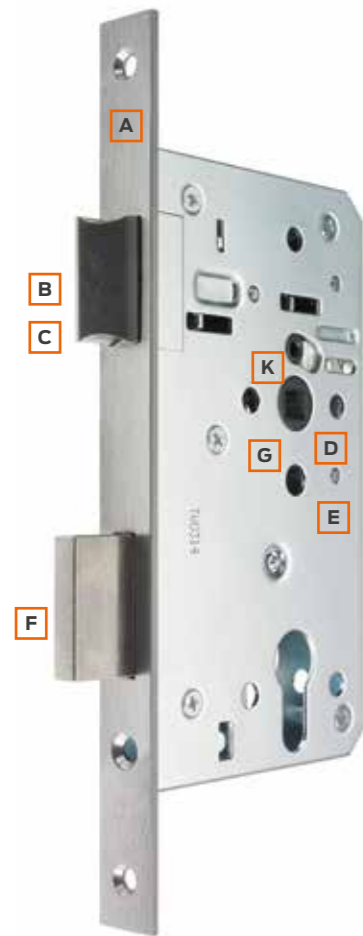
Feature	Briton 5600 Series	Briton 5500 Series	Briton 5400 Series	Briton 5200 Series	CISA HD Series	Legge BS Series	Legge Locks & Latches	Legge Rim Locks	Feature
<b>LOCK TYPE</b>	Mortice cylinder lockcases	Mortice cylinder lockcases	Mortice cylinder lockcases	Mortice cylinder lockcases	Mortice cylinder lockcases	Mortice lever lockcases	Mortice locks and latches	Rim locks and latches	<b>LOCK TYPE</b>
<b>Performance Level</b>	Level 5 & 4	Level 5 & 4	Level 4	Level 3	Level 5 & 4	Level 2	Level 1	Level 1	<b>Performance Level</b>
Lockcase mounting	Mortice	Mortice	Mortice	Mortice	Mortice	Mortice	Mortice	Rim/Surface	Lockcase mounting
Dimensional co-ordination to DIN18251	■	■	■		■				Dimensional co-ordination to DIN18251
CE marked	■	■	■		■				CE marked
Fully tested to EN12209	■	■	■		■				Fully compliant with EN12209
Fully tested to EN179	■	■			■				Fully compliant with EN179
Kitemarked to BS3621						■			Kitemarked to BS3621
Single throw deadbolt action	■	■		■	■	■			Single throw bolt action
Double throw deadbolt action			■						Double throw bolt action
Fire tested to EN1634 for timber doors	90 mins	2 hours	2 hours	90 mins		90 mins			Fire tested to EN1634 for timber doors
Fire tested to EN1634 for metal doors	4 hours	4 hours	4 hours	4 hours		4 hours			Fire tested to EN1634 for steel doors
Fire tested UL LISTED R 14945(N)					60 mins				Fire tested UL LISTED R 14945(N)
Certifire approved		■	■						Certifire approved
Guarantee	10 years	10 years	5 years	5 years	5 years	10 years	5 years	1 year	Guarantee

Locking Functions	Briton 5600 Series	Briton 5500 Series	Briton 5400 Series	Briton 5200 Series	CISA HD Series	Legge BS Series	Legge Locks & Latches	Legge Rim Locks	Locking Functions
Locking function by:	Euro Cylinder	Euro Cylinder	Euro Cylinder	Euro or Oval Cylinder	Euro Cylinder	Lever Key	Lever Key	Lever Key or Rim Cylinder	Locking function by:
Deadlock		■	■	■	■	■	■		Deadlock
Sashlock		■	■	■	■	■	■	■	Sashlock
Bathroom lock		■	■	■	■		■	■	Bathroom lock
Bathroom deadbolt		■					■		Bathroom deadbolt
Latch		■	■	■	■		■	■	Latch
Nightlatch with hold-back		■		■			■	■	Nightlatch with hold-back
Nightlatch without hold-back		■		■	■		■		Nightlatch without hold-back
Nightlatch with anti-thrust	■			■					Nightlatch with anti-thrust
Escape sashlock - non split follower		■			■				Escape sashlock - non split follower
Escape sashlock - split follower function	■				■				Escape sashlock - split follower function

■ Standard feature



## 5600 Series - Euro Profile Mortice Lockcases



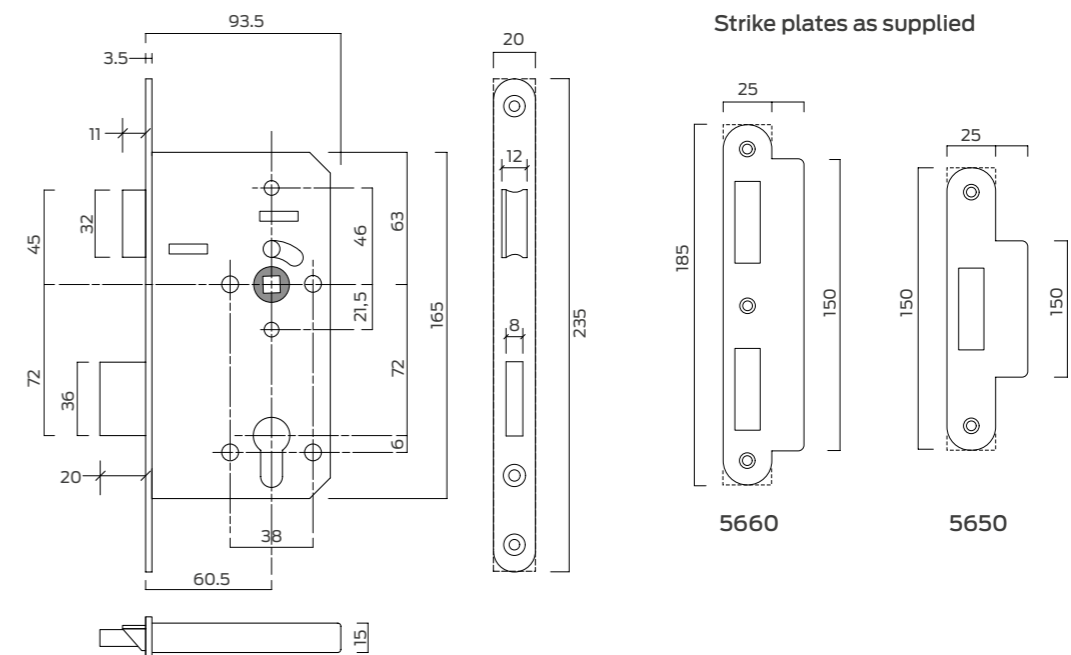
### Nightlatch - 5650.R & 5650.S

- Nightlatch operated by a half set of levers to retract the latchbolt from inside.
- Single cylinder on the outside operates the latchbolt with a single key turn.
- Latchbolt is automatically locked by the anti-thrust latch.



### Escape Lock - 5660.R & 5660.S

- Escape lock with split follower
- Latchbolt withdrawn by lever from both sides.
- Split follower function enables deadbolt & latchbolt to be withdrawn simultaneously by inside lever handle.
- Easily reversible escape mechanism.



all dimensions are in mm

Product Ref:	Function/description	CE Classification
<b>5650.R</b>	Nightlatch function operated by a half set of levers and single cylinder. Radiused forend	3X810FIBB20
<b>5650.S</b>	Nightlatch function operated by a half set of levers and single cylinder. Square forend	
<b>5660.R</b>	Escape lock with split follower function. Radiused forend	3X810F3BA20 (EN 12209)
<b>5660.S</b>	Escape lock with split follower function. Square forend	376B1442AB/D (EN179)
Add suffix .R or .S to product code for Radiused or Square forend and strike plate		
<b>5500IP</b>	Intumescent pack suitable for all 5600 Series lockcases	

The Briton 5600 Series is a high quality, euro profile mortice lockcase offering Nightlatch and Escape Sashlock functions.

The range is dimensionally compatible with the Briton 5500 and 5400 Series.

Performance Level 5 & 4.

### Features & Benefits

- A Grade 316 stainless steel single piece forend
- B Quick reversible latch without the need to dismantle the lockcase
- C Stainless steel profile latch provides a smooth, quiet operation
- D Sintered steel 8mm follower with 30° rotation
- E Follower springing suitable for unsprung lever furniture and high frequency applications.
- F Stainless steel deadbolt with 20mm throw on a single turn of the cylinder
- G Bolt through fixing holes to DIN 18251 at 38mm centres making the lock compatible with most European hardware ranges
- H Nightlatch has anti-thrust latch to prevent forced latch retraction when the door is closed.
- J Escape mechanism of 5660 escape sashlock can be easily reversed on site to suit all handing options.
- K 5660 escape lock has split follower function

### Options

Radiused and square forends are available. Add suffix .R or .S to the product code.  
Supplied with matching strike plate.

### Finishes

Satin stainless steel.

### Accessories

A full range of box strikes and full length strike plates is available. Refer to page 90 for details.

### Testing & Certification

CE marked to EN 12209  
Escape lock approved to EN 179 for emergency exit doors  
Fire tested to EN 1634 on timber doors to achieve a 90 minute fire rating, and 4 hour for steel doors.  
Please note, when installing this product to a fire resisting timber door the lock must be fitted in conjunction with the intumescent protection to ensure the integrity of the door is maintained in a fire situation.  
For EN 179 compliance, the lock must be fitted with compatible lever furniture (Contact Allegion for further details).  
96 hour corrosion resistance.  
Full Declaration of Performance available from our website at:

[www.britondops.co.uk](http://www.britondops.co.uk)



## 5500 Series – Euro Profile Mortice Lockcases



5520.R



### Deadlock - 5510.R & 5510.S

- Euro profile cylinder deadlock.
- For use on doors without lever furniture.
- 22mm single throw deadbolt\*.

CE (AG0001)



### Sashlock - 5520.R & 5520.S

- Euro profile cylinder sashlock.
- For lockable doors with lever handles to retract latch.
- 22mm single throw deadbolt\*.
- Cylinder to latch function will retract the deadbolt and latch.

CE (AG0002)



### Bathroom Lock - 5530.R & 5530.S

- Bathroom sashlock.
- For use on bathroom doors and those requiring a privacy function.
- Latch retracted by lever handles
- 10mm throw deadbolt thrown by thumbturn & emergency release (8mm turn follower).

CE (AG0077)

\* Deadbolt can be withdrawn from one side or both sides depending on the type of cylinder selected.

The Briton 5500 Series is a high quality, heavy duty euro profile cylinder mortice lockcase offering a comprehensive range of functions.

The range is dimensionally compatible with the Briton 5600 and 5400 Series.

Performance Level 5 & 4.

### Features & Benefits

- A Grade 316 stainless steel single piece forend and strike.
- B 60mm backset and 72mm centres [78mm bathroom centres]
- C Quick reversible latch without the need to dismantle the lockcase.
- D Chrome plated steel profile latch provides a smooth, quiet operation
- E Cast follower with phosphor bronze bushes reduces wear of follower during extended use.
- F Follower has 30° rotation.
- G Follower springing suitable for unsprung lever furniture and high frequency applications.
- H Drill resistant heavy duty hardened deadbolt with 22mm throw on a single turn of the cylinder.
- J Bolt through fixing holes to DIN 18251 at 38mm centres making the lock compatible with most European hardware ranges.
- K Sleeved fixing holes assist in bolt location, provide added strength to the lockcase and help prevent mechanical failure due to ingress of foreign objects.

### Options

Radiused and square forends are available. Add suffix .R or .S to the product code.

Supplied with matching strike plate

### Finishes

Satin stainless steel, polished stainless steel and polished brass.

### Testing & Certification

CE marked to EN 12209

CE marked to EN 179 (Briton 5560 escape sashlock only)

Fire tested to EN 1634 on timber doors to achieve a 2 hour fire rating, and 4 hour for steel doors.

Please note, when installing this product to a fire resisting timber door the lock must be fitted in conjunction with the intumescent protection to ensure the integrity of the door is maintained in a fire situation.

96 hour corrosion resistance.

Full Declaration of Performance available from our website at:

[www.britondops.co.uk](http://www.britondops.co.uk)



## 5500 Series – Euro Profile Mortice Lockcases



### Bathroom Deadlock - 5535.R & 5535.S

- Bathroom deadlock.
- 10mm throw deadbolt thrown and retracted by thumbturn & emergency release (8mm turn follower).



### Nightlatch - 5550.R & 5550.S

- Cylinder nightlatch with hold-back function.
- Lever operation from inside to withdraw latchbolt.
- Cylinder operation from outside to withdraw latchbolt. Snib on forend operates hold-back function.



### Escape Sashlock - 5560.R & 5560.S

- Escape sashlock to EN179.
- Lever operation of latchbolt
- Cylinder operation of 22mm single throw deadbolt.
- Inside lever withdraws the latchbolt and deadbolt simultaneously for immediate escape.
- Cylinder to latch function withdraws deadbolt on first turn of the key and latchbolt on the second turn.
- This is not a split follower lock and must not be used with a thumbturn cylinder or outside lever handle.



### Latch - 5540.R & 5540.S

- Mortice latch.
- Suitable for doors which do not require locking function.
- Lever operation of latchbolt only.



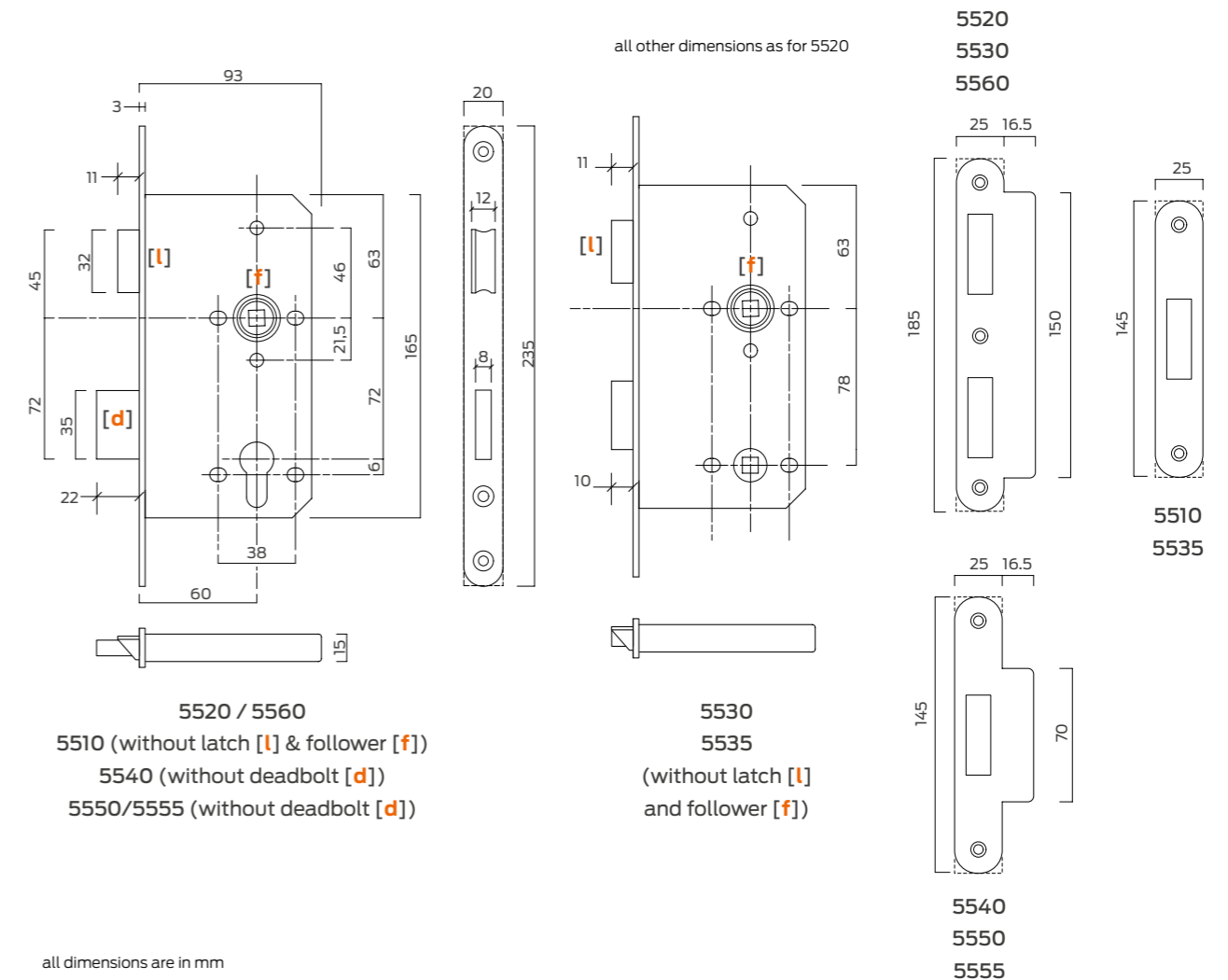
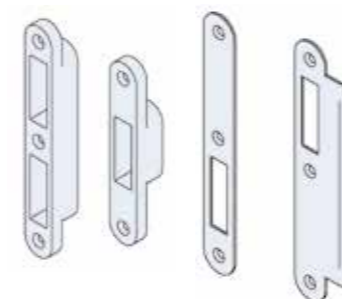
### Nightlatch - 5555.R & 5555.S

- Cylinder nightlatch without hold-back function.
- Lever operation from inside to withdraw latchbolt.
- Single key turn by cylinder operation from outside to withdraw latchbolt.



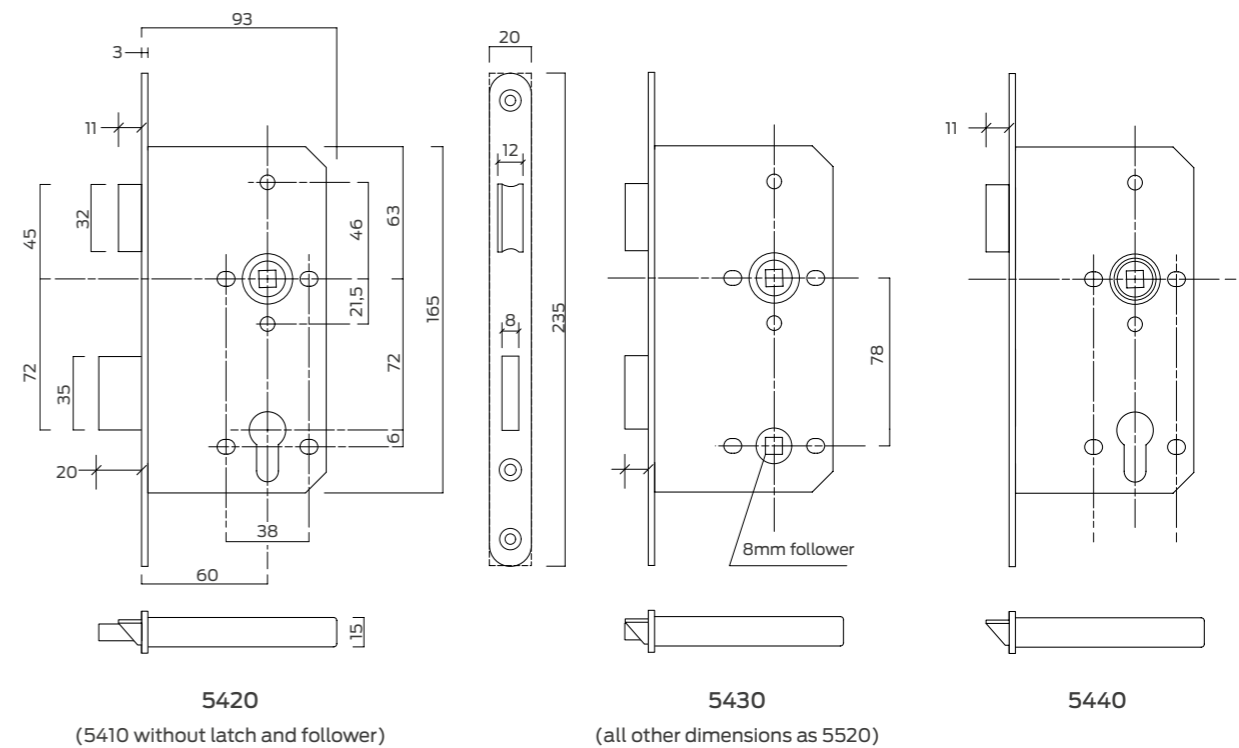
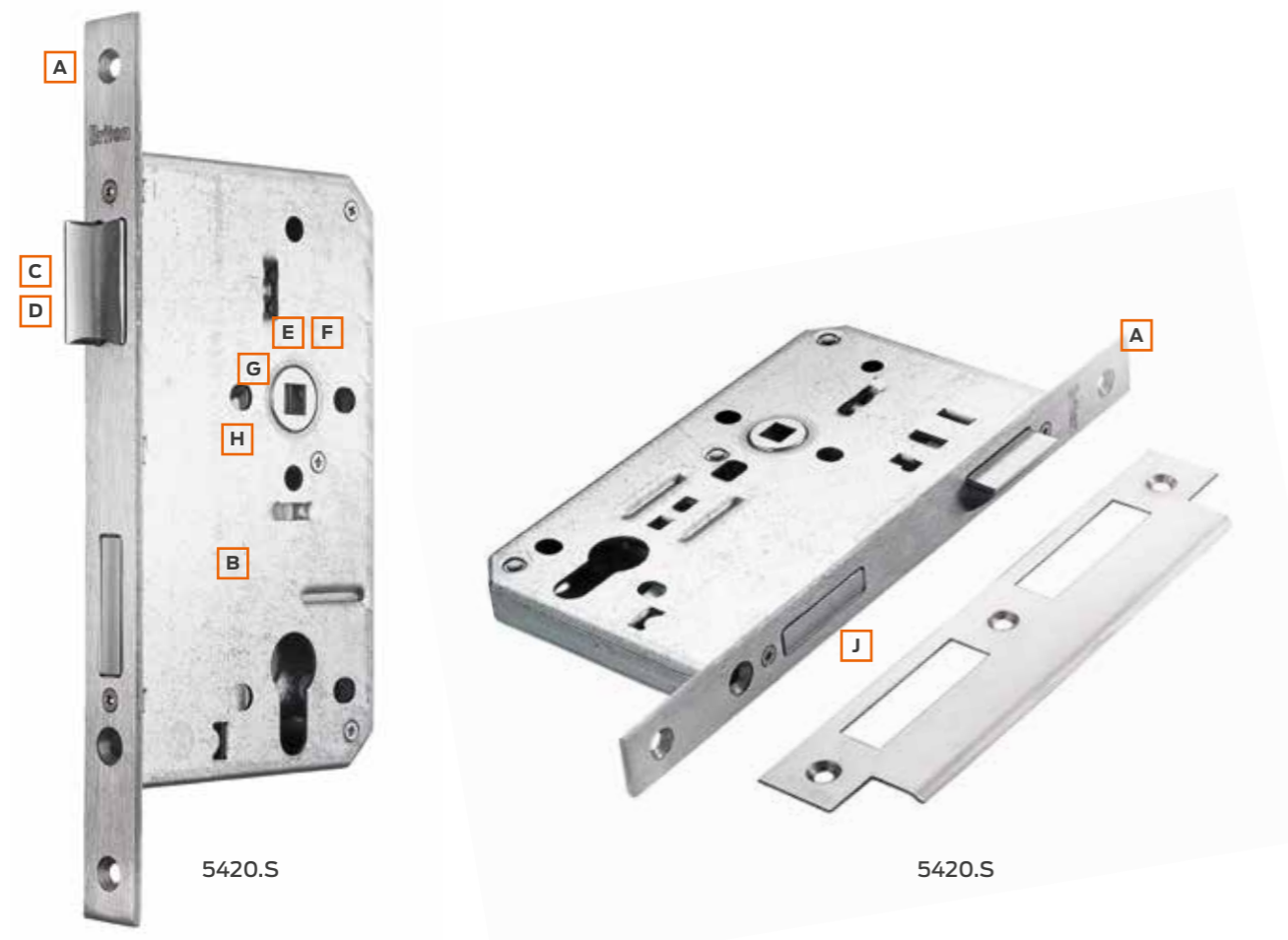
### Accessories

A full range of accessories, including box strikes, and full length strike plates is available to replace the standard strike supplied with the lockcase. Please refer to page 90 for further details.



Product Ref:	Function/description	CE Classification
5510	Euro profile cylinder deadlock	3X810G4BA00
5520	Euro profile cylinder sashlock	3X810G4BA20
5530	Bathroom lock - 8mm bathroom turn follower	3X810G-B020
5535	Bathroom deadbolt - 8mm bathroom turn follower	3X810G-B000
5540	Latch	3X810G-B020
5550	Nightlatch - with hold-back function.	not CE marked
5555	Nightlatch - without hold-back function.	3X810G-B020
5560	Escape sashlock (Note: this lock must not be used with an external lever handle or with an internal cylinder thumbturn)	3X810G4BA20 (EN 12209) 376B1442AB/D (EN179)
Add suffix .R or .S to product code for Radiused or Square forend and strike plate		
5500IP	Intumescent pack for use with all 5500 Series lockcases	

## 5400 Series – Euro Profile Mortice Lockcases



all dimensions are in mm

The Briton 5400 Series is a contract quality, euro profile cylinder mortice lockcase offering the most common range of functions.

The range is dimensionally compatible with the Briton 5500 and 5600 Series.

Performance Level 4.

### Features & Benefits

- A Grade A AISI 430 stainless steel single piece forend and strike
- B 60mm backset and 72mm centres [78mm bathroom centres]
- C Quick reversible latch without the need to dismantle the lockcase.
- D Satin nickel plated steel profile latch provides a smooth, quiet operation
- E Smooth action ball bearing follower for 8mm spindle provides smooth lever operation and reduces wear
- F Follower has 25° rotation.
- G Positive follower angle (1°) reduces the effect of wear which can lead to lever droop
- H Follower springing suitable for unsprung lever furniture and high frequency applications.
- J Drill resistant heavy duty hardened deadbolt with 20mm throw on a double turn of the cylinder.
- K Bolt through fixing holes to DIN 18251 at 38mm centres, making the lock compatible with most European hardware ranges.

### Options

Radiused and square forends are available. Add suffix .R or .S to the product code.

Supplied with matching strike plate.

### Finishes

Satin stainless steel and polished stainless steel.

### Testing & Certification

CE marked to EN12209

Fire tested to EN1634 on timber doors to achieve a 2 hour fire rating, and 4 hour for steel doors.

Please note, when installing this product to a fire resisting timber door the lock must be fitted in conjunction with the intumescent protection to ensure the integrity of the door is maintained in a fire situation.

96 hour corrosion resistance.

Full Declaration of Performance available from our website at:

[www.britondops.co.uk](http://www.britondops.co.uk)





## 5400 Series – Euro Profile Mortice Lockcases



### Deadlock - 5410.R & 5410.S

- Euro profile cylinder deadlock.
- For use on doors without lever furniture.
- 22mm deadbolt is thrown with a double turn of the cylinder\*.



### Sashlock - 5420.R & 5420.S

- Euro profile cylinder sashlock.
- For lockable doors with lever handles to retract latch.
- 22mm double throw deadbolt\*.
- Cylinder to latch function will retract the deadbolt and latch.



### Bathroom Lock - 5430.R & 5430.S

- Bathroom sashlock.
- For use on bathroom doors and those requiring a privacy function.
- Latch retracted by lever handles
- 10mm throw deadbolt thrown by thumbturn & emergency release (8mm turn follower).

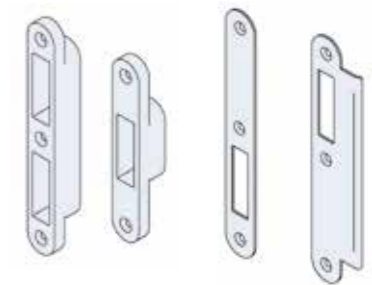


\* Deadbolt can be withdrawn from one side or both sides depending on the type of cylinder selected.

## A wide range of accessories to suit 5600, 5500 and 5400 Series lockcases

### Accessories

A full range of accessories, including box strikes, and full length strike plates is available to replace the standard strike supplied with the lockcase on 5600, 5500 and 5400 Series lockcases.



Product Ref:	Accessory	To Suit Lockcases	Finishes
5000.001	Heavy duty box strike for latch & bolt	5660; 5520; 5530; 5560; 5420; 5430	Black
5000.002	Heavy duty box strike for latch only	5650; 5540; 5550; 5440; 5555	Black
5000.009	Standard radius strike for sashlocks	5520; 5420	SS; PS; PB
5000.010	Standard square strike for sashlocks	5520; 5420	SS; PS; PB
5000.011	Standard radius strike for latches	5540; 5440	SS; PS; PB
5000.012	Standard square strike for latches	5540; 5440	SS; PS; PB
5000.013	Standard radius strike for deadlocks	5510; 5410	SS; PS; PB
5000.014	Standard square strike for deadlocks	5510; 5410	SS; PS; PB
5000.015	Full radius strike for deadlocks	5510; 5410; 5535	SS
5000.016	Full square strike for deadlocks	5510; 5410; 5535	SS
5000.017	Full radius strike for latches - RH	5650; 5540; 5550; 5440	SS
5000.018	Full square strike for latches - RH	5650; 5540; 5550; 5440	SS
5000.019	Full radius strike for latches - LH	5650; 5540; 5550; 5440	SS
5000.020	Full square strike for latches -LH	5650; 5540; 5550; 5440	SS
5000.021	Heavy duty box strike for bolt only	5510; 5410; 5535	Black
5000.022	Heavy duty box strike for sashlocks	5660; 5520; 5560; 5420	Black
5000.023	Heavy duty box strike for deadlocks	5510; 5410; 5535	Black

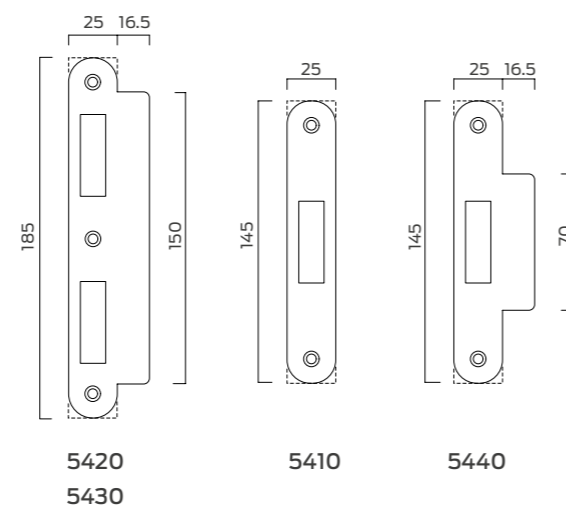


### Latch - 5440.R & 5440.S

- Mortice latch.
- Suitable for doors which do not require locking function.
- Lever operation of latchbolt only.

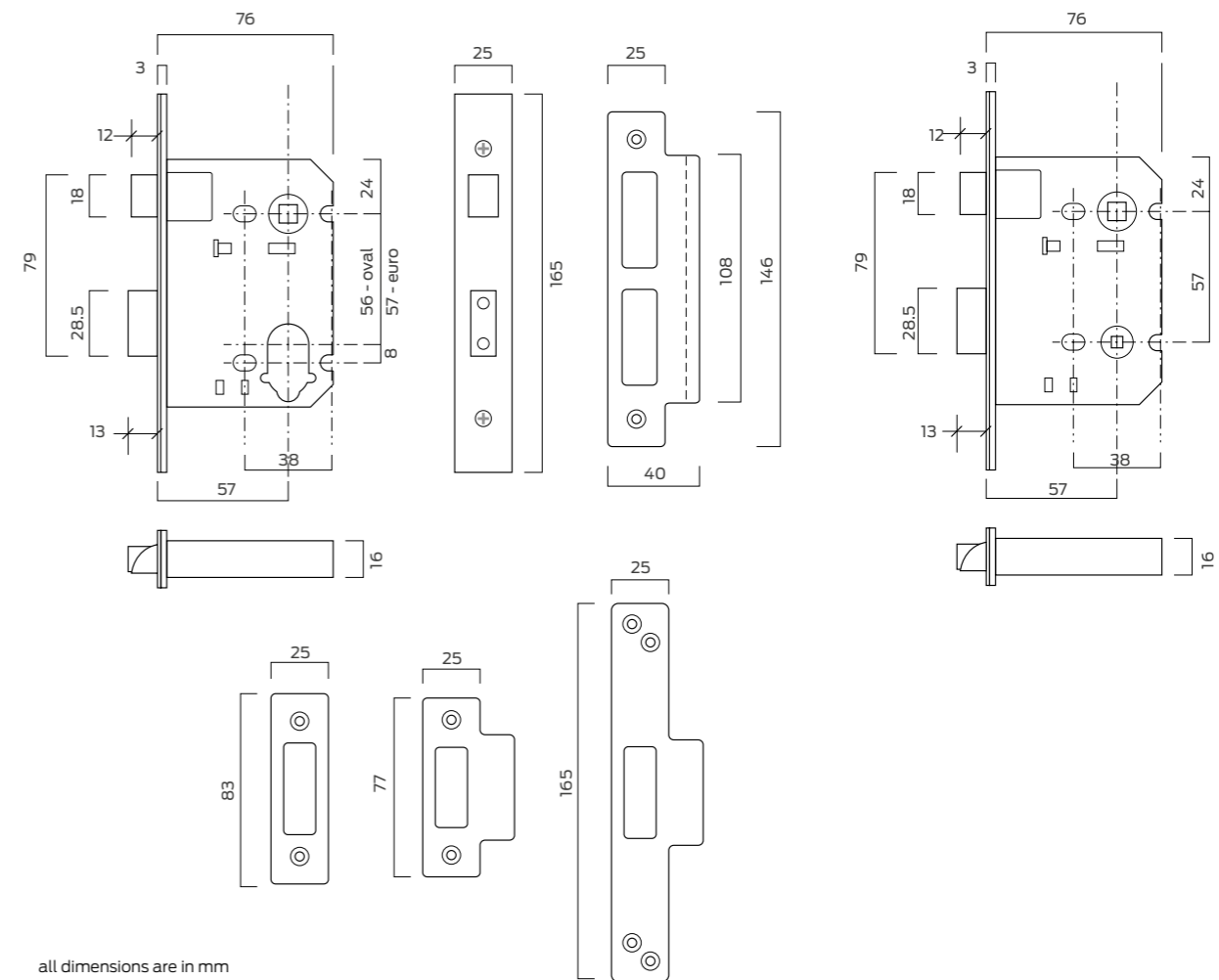


### Strike plates supplied as standard



Product Ref:	Function/description	CE Classification
5410	Euro profile cylinder deadlock	3M810F2BC00
5420	Euro profile cylinder sashlock	3M810F2BC20
5430	Bathroom lock - 8mm bathroom turn follower	3M810F-B020
5540	Latch	3M810F-B020
Add suffix .R or .S to product code for Radiused or Square forend and strike plate		
5500IP	Intumescent pack for use with all 5400 Series lockcases	
5400.013	Standard round strike plate for 5410 deadlock	
5400.014	Standard square strike plate for 5410 dealock	
5400.009	Standard round strike plate for 5420 sashlock and 5430 bathroom lock	
5400.010	Standard square strike plate for 5420 sashlock and 5430 bathroom lock	
5400.011	Standard round strike plate for 5440 latch	
5400.012	Standard square strike plate for 5440 latch	

## 5200 Series - Dual Profile Mortice Lockcases



all dimensions are in mm

The Briton 5200 Series is a contract quality, mortice lockcase range which can be used with euro profile or oval profile cylinders. The Series offers the most common range of lock functions. Performance Level 3.

### Features & Benefits

- A Grade 304 stainless steel forend cover plate and strike
- B 57mm backset and 57mm centres
- C Dimensionally co-ordinated across the range of lock functions
- D Unique X-Tension feature allows the follower spring tension to be adjusted to suit the weight of lever furniture and to eliminate lever 'droop'
- E Quick reversible latch without the need to dismantle the lockcase
- F Dual profile can be used with euro profile or oval profile cylinders (by the removal of plates)
- G Single throw deadbolt with hardened steel rotating pins to protect from sawing
- H Suitable for bolt through furniture fixings at 38mm centres
- J Available with square or radius forend and strike

### Options

Radiused and square forends are available. Add suffix .R or .S to the product code  
Supplied with matching strike plate

### Finishes

Satin stainless steel and polished brass.

### Testing & Certification

CE marked to EN12209  
Fire tested to EN1634 on timber doors to achieve a 90 minute fire rating, and 4 hour for steel doors.

Please note, when installing this product to a fire resisting timber door the lock must be fitted in conjunction with the intumescent protection to ensure the integrity of the door is maintained in a fire situation.

96 hour corrosion resistance.

Full Declaration of Performance available from our website at:

[www.britondops.co.uk](http://www.britondops.co.uk)



## 5200 Series – Euro Profile Mortice Lockcases



### Deadlock - 5210

- Euro profile cylinder deadlock.
- For use on doors without lever furniture.
- 13mm deadbolt is thrown with a single turn of the cylinder\*.



### Sashlock - 5220

- Euro profile cylinder sashlock.
- For lockable doors with lever handles to retract latch.
- 13mm single throw deadbolt\*.



### Bathroom Lock - 5230

- Bathroom sashlock.
- For use on bathroom doors and those requiring a privacy function.
- Latch retracted by lever handles
- 13mm throw deadbolt thrown by thumbturn & emergency release (5mm turn follower).



\* Deadbolt can be withdrawn from one side or both sides depending on the type of cylinder selected.



### Latch - 5240

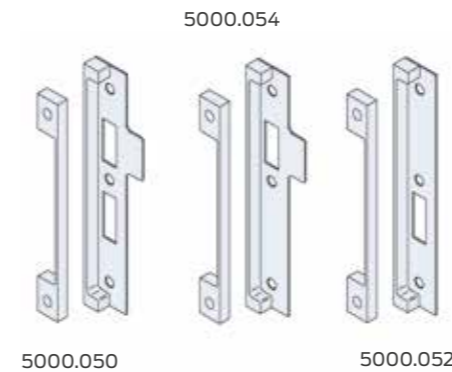
- Mortice latch.
- Suitable for doors which do not require locking function.
- Lever operation of latchbolt only.



### Nightlatch - 5250

- Cylinder nightlatch with hold-back function.
- Lever operation from inside to withdraw latchbolt.
- Cylinder operation from outside to withdraw latchbolt. Snib on forend operates hold-back function.
- Available with square forend only.

## 5200 Series – Rebate Kits



Product Ref:	To Suit Lockcases	Rebate Size	Finishes
5000.050	5220 & 5230	12.5mm	SS
5000.051	5220 & 5230	25mm	SS
5000.052	5240	12.5mm	SS
5000.053	5240	25mm	SS
5000.054	5210	12.5mm	SS
5000.055	5210	25mm	SS
5000.056	5250	12.5mm	SS; PB
5000.057	5250	25mm	SS; PB

### Features

- Silver anodised aluminium rebate kits with stainless steel or polished brass strike plate
- Replaces the standard strike plate supplied with the lockcase
- Suits locks with square forend only
- Pack contains 1 off each - aluminium strike packer, aluminium lock packer, stainless steel strike plate, screw pack

Please note: All rebate kits must be ordered separately to suit the lockcase being fitted.

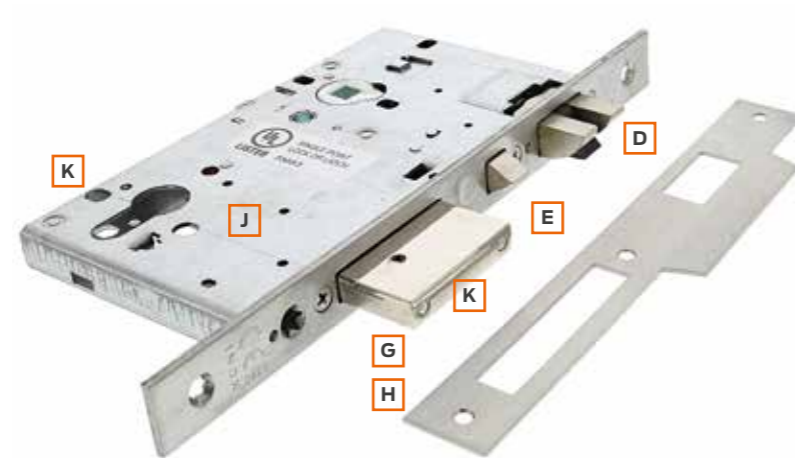
Product Ref:	Function/description	CE Classification
5210	Euro profile cylinder deadlock	3X810F2BA00
5220	Euro profile cylinder sashlock	3X810F2BA20
5230	Bathroom lock - 8mm bathroom turn follower	3X810F-B020
5240	Latch	3X810F-B020
5250	Nightlatch - with hold-back function	not CE marked

Add suffix .R or .S to product code for Radiused or Square forend and strike plate

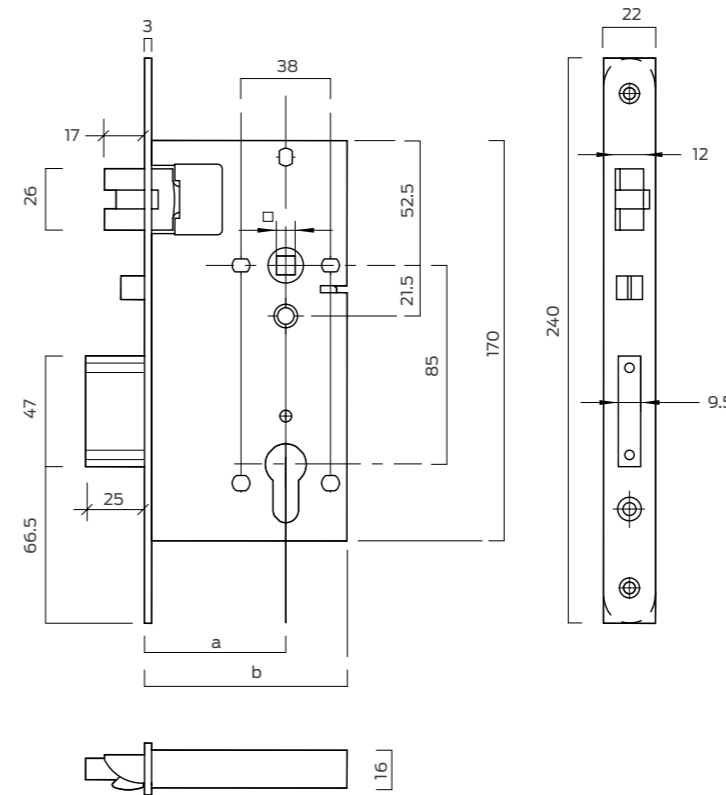
## 52000 Series - Heavy Duty Mortice Lockcases



52844.80 - Sashlock



52760.60 - Nightlatch



all dimensions are in mm

The CISA 52000 Series is a range of euro profile cylinder mortice lockcases offering a wide range of functions within the same case dimensions. Suitable for heavy duty applications. Performance Level 4.

### Features & Benefits

- A Single piece removable forend and strike available in brass or stainless steel
- B Zinc plated steel lock case
- C Available in 60mm, 70mm and 80mm backset
- D Anti-friction reversible latch - nickel plated
- E Anti-thrust latch deadlocks the latch when the door is closed
- F Fully galvanised internal components for corrosion resistance
- G Heavy duty deadbolt with hardened steel drill resistant pins with 25mm throw on a single turn of the cylinder
- H Automatic throw deadbolt (52840)
- J Panic function option supplied with split follower
- K Bolt through fixing holes to DIN 18251 at 38mm centres, making the lock compatible with most European hardware ranges

### Options

Multiple backset options in 60mm, 70mm and 80mm.  
Forend and strike finish.

### Finishes

Satin stainless steel and polished brass.

### Testing & Certification

CE marked to EN12209  
Fire tested to American Underwriters Laboratories standard and UL listed R 14945 (N). Please note, this applies to lockcases with stainless steel forend and strike only.

Full Declaration of Performance available from our website at:

[www.britondops.co.uk](http://www.britondops.co.uk)





## 52000 Series – Heavy Duty Mortice Lockcases



### Sashlock - 52710

- Euro profile cylinder sashlock.
- For lockable doors with lever handles to retract latch
- 25mm deadbolt is thrown with a single turn of the cylinder.
- Available in multiple backsets



### Latch - 52750

- Suitable for doors which do not require locking
- Latch operated by lever handles from both sides



### Nightlatch - 52755

- Euro profile cylinder nightlatch.
- Lever operation from inside to withdraw latchbolt.
- Cylinder operation from outside to withdraw latchbolt.
- Latch is deadlocked when the door is closed



### Panic Escape Sashlock - 52842

- Escape lock with split follower
- Split follower function enables deadbolt & latchbolt to be withdrawn simultaneously by lever handle from either side.
- Outside lever is locked/unlocked by cylinder.
- Easily reversible escape mechanism.



### Side Escape Sashlock - 52844

- Escape lock split follower
- Split follower function enables deadbolt & latchbolt to be withdrawn simultaneously by lever handle from inside.
- Deadbolt can be thrown or withdrawn by cylinder from both sides



### Panic Function Deadlock - 52871

- Deadlock operated by lever handles from both sides
- Escape lock function allows inside handle to withdraw the deadbolt at all times
- Outside handle is locked/unlocked by cylinder



### Panic Nightlatch with Classroom Function - 52760

- Euro profile cylinder nightlatch.
- Lever operation from either side to withdraw latchbolt
- Outside lever handle can be locked or unlocked by cylinder
- Inside handle is always free to escape



### Deadlock - 52780

- Euro profile cylinder deadlock.
- For use on doors without lever furniture
- 25mm deadbolt is thrown by a single turn of the cylinder

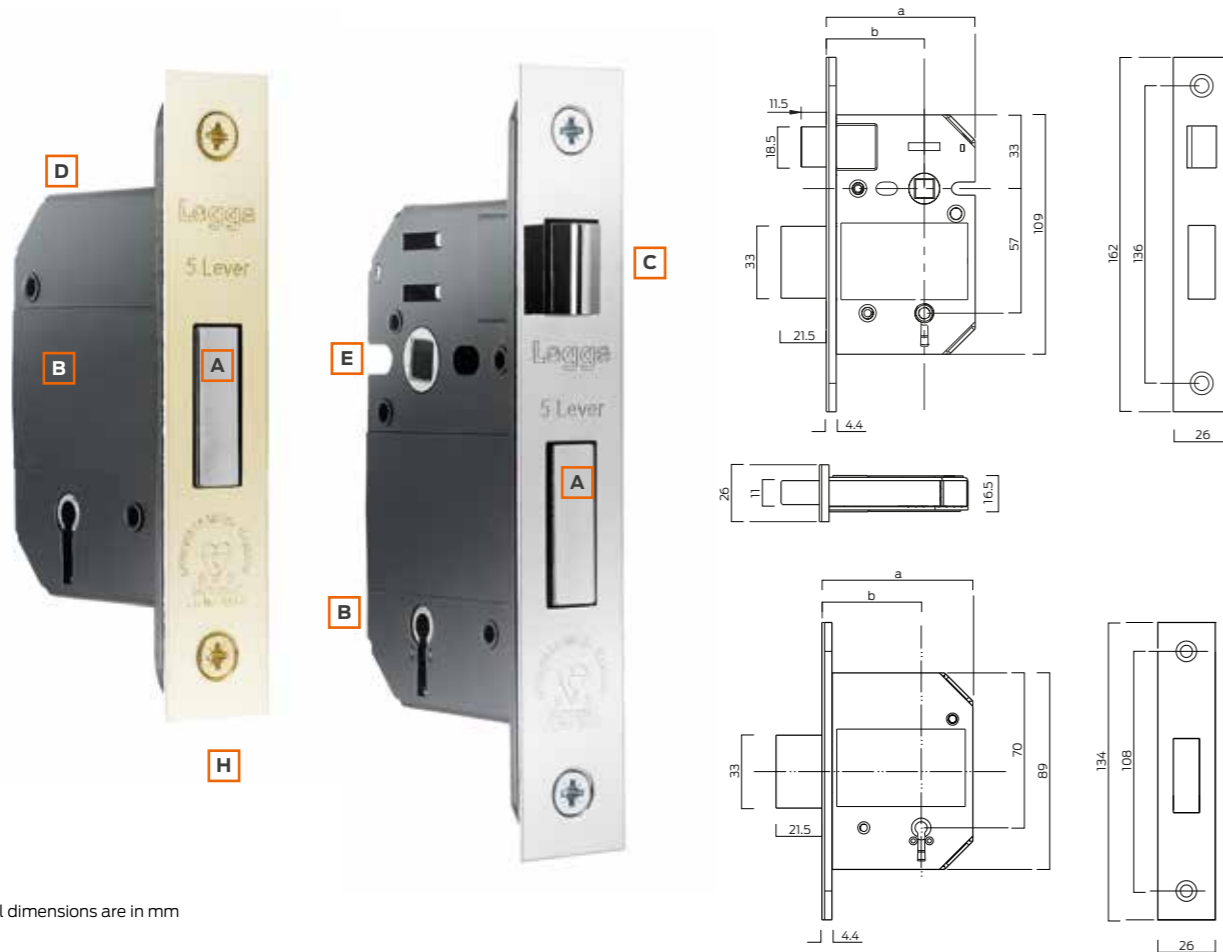


### Panic Automatic Sashlock - 52840

- Deadbolt is thrown automatically when the door closes
- Lever handles operate the latchbolt and deadbolt simultaneously from both sides
- Outside handle can be locked and unlocked by cylinder
- Split follower panic function means inside handle is always free to escape

Function/description	Product Ref:		
	60mm backset	70mm backset	80mm backset
Euro profile sashlock - square forend/strike	52710.60	52710.70	52710.80
Latch function - square forend/strike	52750.60	52750.70	52750.80
Nightlatch - no hold-back - square forend/strike	52755.60	52755.70	52755.80
Panic nightlatch with classroom escape function - square forend/strike	52760.60	52760.70	52760.80
Deadlock - square forend/strike	52780.60	52780.70	52780.80
Panic sashlock with automatic deadbolt activation - square forend/strike	52840.60	52840.70	52840.80
Panic escape sashlock - square forend/strike	52842.60	52842.70	52842.80
Side escape sashlock - square forend/strike	52844.60	52844.70	52844.80
Panic escape deadlock - square forend/strike	52871.60	52871.70	52871.80
Finishes - for satin stainless steel add suffix <b>.20</b>			
Finishes - for polished brassl add suffix <b>.66</b>			

## BS 5 Lever - Kitemarked Mortice Lockcases



all dimensions are in mm



### 5 Lever Deadlock - N5641 / N5761

- For use on doors without lever furniture
- 20mm throw deadbolt
- Available with SS or PB forend and strike



### 5 Lever Sashlock - N5642 / N5762

- For lockable doors with lever handles to retract latch
- 20mm throw deadbolt
- Available with SS or PB forend and strike.



Product Ref:	Function/description	Case size (a)	Backset (b)	CE Classification
<b>N5641</b>	5 lever deadlock	68mm	45mm	2M810F7KD0B
<b>N5642</b>	5 lever sashlock	68mm	45mm	2M810F7KD2B
<b>N5761</b>	5 lever deadlock	81mm	58mm	2M810F7KD0B
<b>N5762</b>	5 lever sashlock	81mm	58mm	2M810F7KD2B
<b>N41</b>	Rebate conversion kit (13mm) for N5641 and N5761 deadlocks			
<b>N42</b>	Rebate conversion kit (13mm) for N5642 and N5762 sashlocks			
Note: rebate kits retain the use of the security box strike				

The Legge BS 5 lever lockcases offer exceptional levels of attack resistance making them an ideal choice for domestic and commercial applications.

Performance Level 2

### Features & Benefits

- A Hardened steel anti-saw deadbolt with 20mm throw operates after 10kN side load
- B Anti-pick and anti-drill protection
- C 'Pull and Twist' reversible latchbolt
- D Steel case, black powder coated finish
- F Accepts bolt through lever furniture fixings at 38mm centres
- G 3 plated steel keys
- H Available with square forend and matching security box strike

### Options

Available with plated finishes SS or PB forend and matching strike plate.  
Rebate conversion kits for 13mm rebate.

### Finishes

Plated finishes to match polished stainless steel and polished brass.

### Testing & Certification

CE marked to EN12209 - Grade 7  
Fully compliant with BS3621:2007 and Kitemarked  
Fire tested to EN1634 on timber and composite doors to achieve a 1 hour fire rating, and 4 hour for steel doors.  
Full Declaration of Performance available from our website at:

[www.britondops.co.uk](http://www.britondops.co.uk)



## Legge - Non Platform Mortice Lockcases



**2 Lever Sashlock - B159 & B2378**  
2 lever sashlock with 44mm or 57mm backset

### Features & Benefits

- Offering basic 2 lever security (2 brass levers) or bathroom function lockcase
- Lever lock has 24 differs
- 8mm high strength Zytel follower
- Reversible latch for on-site handing
- Brass deadbolt
- Suitable for bolt through furniture fixing at 38mm centres
- 2 die cast keys (lever lock only)

### Options

Each lockcase is available in 2 case/backset sizes.  
Rebate conversion kit available for bathroom lock.

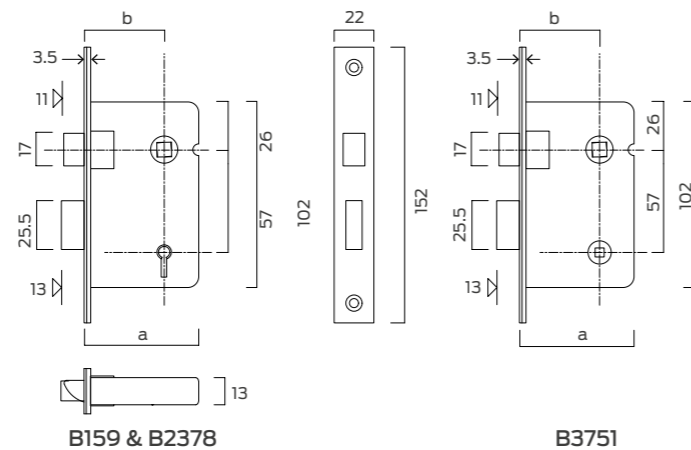
### Finishes

Available with nickel plated or polished brass forend and matching strike plate.



**Bathroom Lock - B3751/2.5 & B3751/3.0**  
Mortice bathroom lock with 44mm or 57mm backset

Product Ref:	Function/description	Case size (a)	Backset (b)	Finish
<b>B159</b>	2 lever sashlock	64mm	44mm	NP; PB
<b>B2378</b>	2 lever sashlock	76mm	57mm	NP; PB
<b>B3751/2.5</b>	Bathroom lock	64mm	44mm	NP; PB
<b>B3751/3.0</b>	Bathroom lock	76mm	57mm	NP; PB
<b>N42/0.5</b>	Rebate conversion kit (12.5mm) for 3751 bathroom locks			SS; PB



## Legge - Mortice Latch & Deadbolt



**Bathroom Deadbolt - B2512/5 & B2512/8**  
Mortice bathroom deadbolt with thumbturn operation

- Mortice bathroom deadbolt with thumbturn operation
- Brass deadbolt with thumbturn operation
- Accepts bolt through fixings at 38mm centres
- Available with 5mm or 8mm follower
- Round or square forend and strike

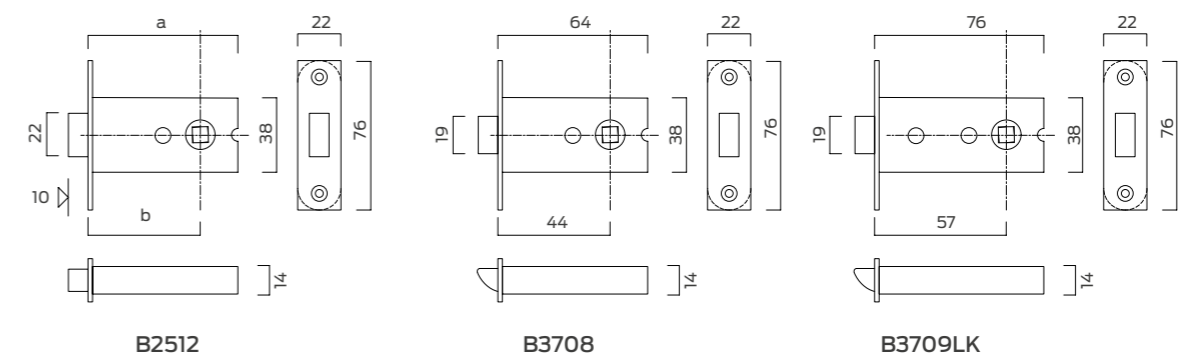


**Latch - B3708 & B3709LK**  
Mortice latches for lever or knob furniture

- Mortice latches for lever or knob furniture
- Meets the requirements of EN 12209 (B3708)
- CE marked (B3708)
- Accepts bolt through fixings at 38mm centres
- 8mm high strength follower



Product Ref:	Function/description	Case size (a)	Backset (b)	Finish	CE Classification
<b>B2512/5</b>	Bathroom deadbolt - 5mm thumbturn follower	64mm	44mm	NP; PB	N/A
<b>B2512/8</b>	Bathroom deadbolt - 8mm thumbturn follower	76mm	57mm	NP; PB	N/A
<b>B3708</b>	Mortice latch - CE marked -	64mm	44mm	NP; PB	NPD H810F-B010
<b>B3709LK</b>	Mortice latch	76mm	57mm	NP; PB	N/A



## Legge - Latches



**Tubular Latch - B3721, B3722 & B3724LK**

- Mortice tubular latches
- Meets the requirements of EN 12209 (see table)
- CE marked (see table)
- 8mm high strength follower
- Available in electroplated brass or nickel plated finishes
- Lifetime guarantee

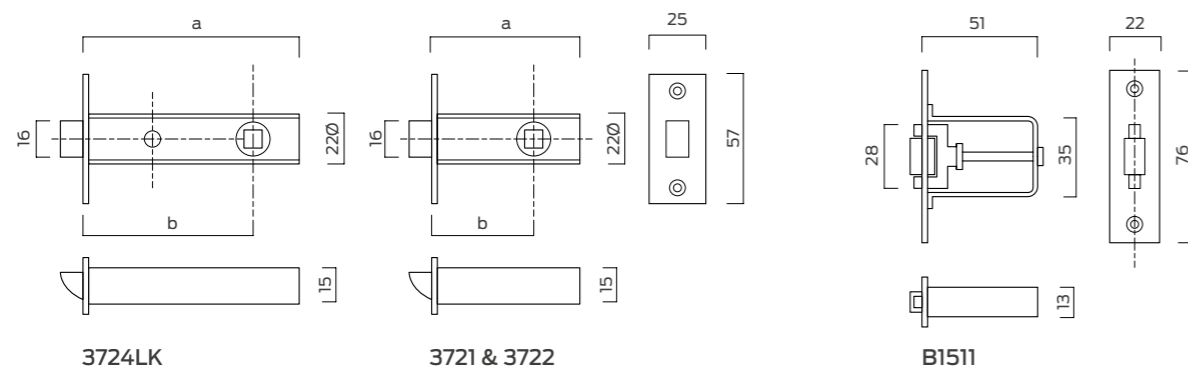


**Roller Latch - B1511**

- Mortice roller latch
- Brass roller latch
- Adjustable springing to provide a positive push/pull operation
- Available in polished brass or nickel plated finishes



Product Ref:	Function/description	Case size (a)	Backset (b)	Finishes	CE Classification
<b>B3721</b>	Tubular latch - CE marked	64mm	44mm	EB; NP	NPD H810F-B010
<b>B3722</b>	Tubular latch - CE marked	76mm	57mm	EB; NP	NPD H810F-B010
<b>B3724LK</b>	Tubular latch - lockable	95mm	76mm	EB; NP	N/A
<b>B1511</b>	Roller latch	51mm	N/A	PB; NP	N/A



all dimensions are in mm

## Legge - Rim Nightlatch

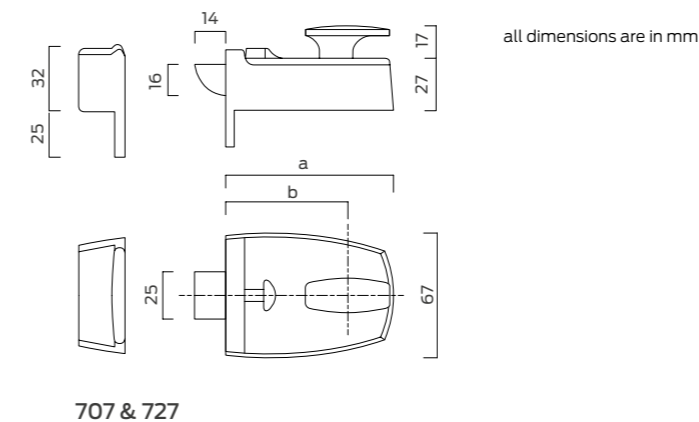


**Rim Nightlatch - 707 & 727**

- Rim nightlatches suitable for most retrofit applications
- Brass latchbolt
- Clockwise or anti-clockwise knob operation to withdraw latch
- Latch and knob are rendered inoperative by the deadlocking function
- Supplied with 5 pin rim cylinder with 3 keys



Product Ref:	Function/description	Case size (a)	Backset (b)	Finishes
<b>707</b>	Rim nightlatch with deadlocking function	68mm	45mm	PB/BP; PB/SV
<b>727</b>	5 lever sashlock	68mm	45mm	PB/BP; PB/SV



all dimensions are in mm



## Legge - Rim Locks

A series of rim locks and latches which are surface mounted, typically onto period doors, sheds or garages. Locks and latches should be used in conjunction with the knob furniture which must be selected separately.



### Knob Furniture

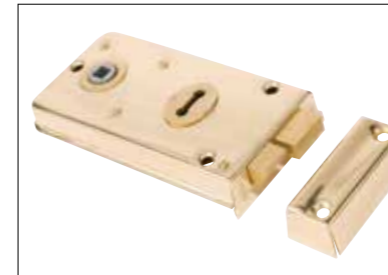
- Knob furniture for use with Briton rim locks and latches
- Supplied with 2 covered escutcheons
- Sold as pairs c/w 8mm spindle



### Knob Furniture - B472

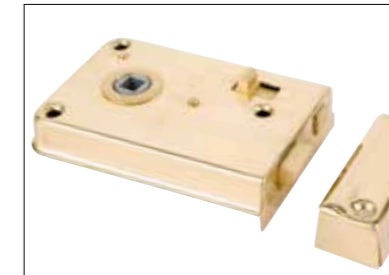
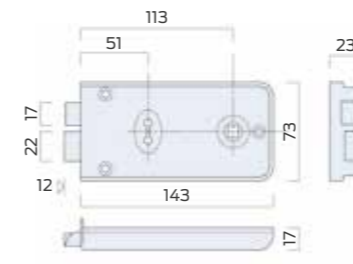
- Suitable for rim lock and rim latch
- Rose 51mm diameter
- Supplied with threaded spindle for secure fixing
- Polished brass

## Legge - Rim Locks



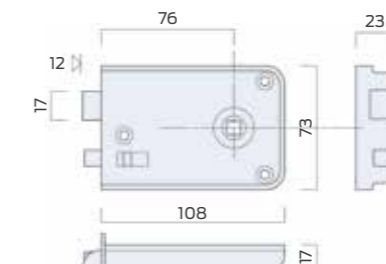
### Rim Lock - 2136

- Rim lock - surface mount
- Brass latch & deadbolt
- Deadbolt by key - 12 differs
- Suitable for knob furniture with 8mm spindle



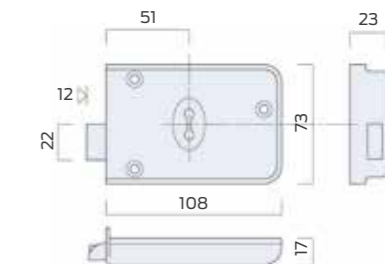
### Rim Latch - 2143

- Rim latch - surface mount
- Brass latch & deadbolt
- Deadbolt thrown by snib
- Suitable for knob furniture with 8mm spindle



### Rim Deadlock - 2144

- Rim deadlock - surface mount
- Brass deadbolt
- Deadbolt by key - 12 differs
- Powder coated finish



Product Ref:	Function/description	Case size	Backset	Finishes
<b>2136</b>	Rim mounted lock with 8mm follower	143mm	45mm	PB; BM
<b>2143</b>	Rim mounted latch with deadbolt thrown by snib - 8mm follower	108mm	45mm	PB; BM
<b>2144</b>	Rim mounted deadlock with key operation only	108mm	58mm	PB; BM
<b>B472/2.0</b>	Knob furniture - 51mm Victorian domed	N/A	N/A	PB
<b>B472/2.25</b>	Knob furniture - 57mm Victorian domed	N/A	N/A	PB

## 9160, 9260 & 9360 - Digital locks



**Push button digital lock - 9160**  
With tubular mortice latch.



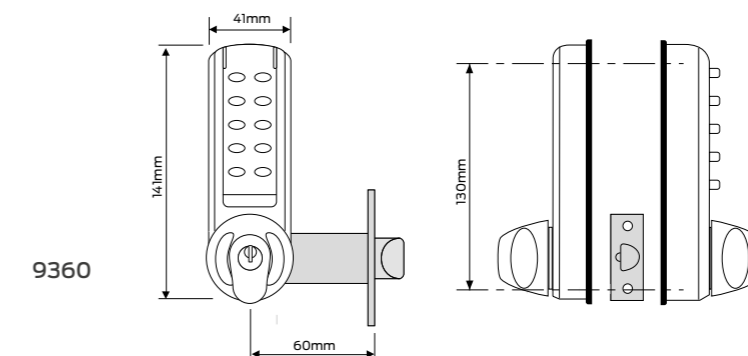
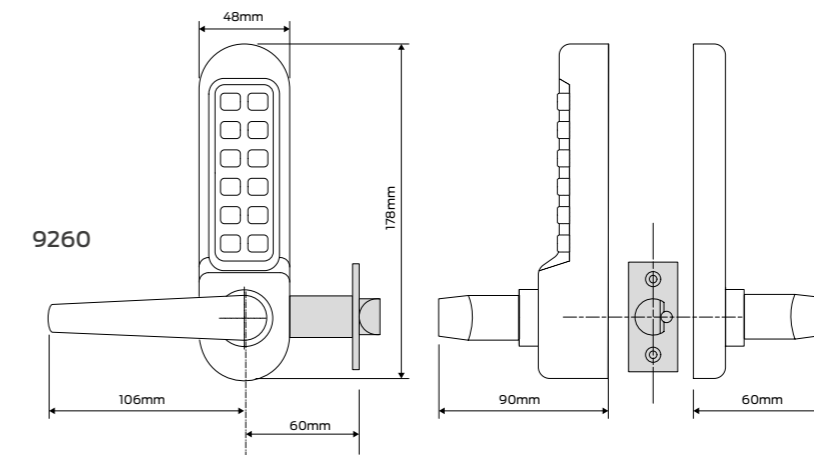
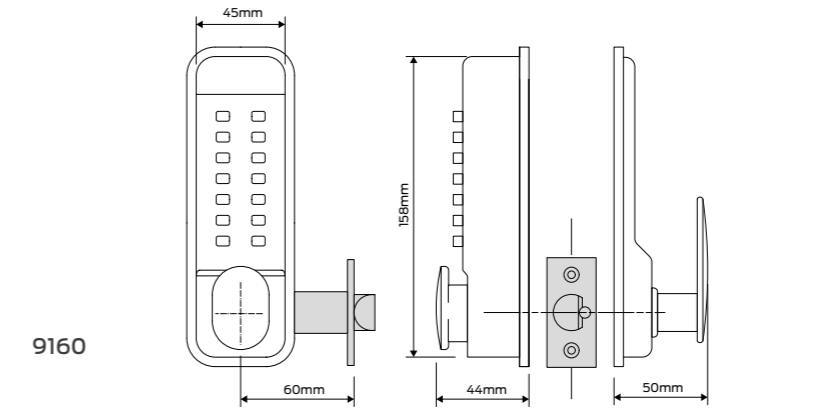
**Push button digital lock - 9260**  
With tubular mortice latch.



**Electronic digital code lock - 9360**  
With tubular mortice latch.



Simplicity of installation combined with the convenience of keyless security



### 9160 - Mechanical digital lock

- Push button code lock
- Operates using a single PIN code
- Suitable for light duty internal use only
- Spindle can be cut on site to suit doors 35 - 60mm thick
- Supplied c/w tubular mortice latch and internal turn knob
- Hold-open facility by snib on the internal turn knob unit
- Available in silver finish or polished brass

### 9260 - Digital code lock

- Digital code lock with over 2047 non sequential code options
- Available with extra long spindles for use with Briton exit devices
- Reversible lever operation for left or right hand applications
- Code changed by removing the unit from the door
- Available in satin stainless steel, polished stainless steel or polished brass

### 9260 - Digital code lock

- Simple and quick replacement or upgrade to mechanical code locks (common fixing holes)
- Code change without removing the unit
- Up to 80 user codes of 4 - 6 digits
- Up to 10 "One Time" codes
- Over 80,000 operations from 2 x AA batteries
- External battery override contacts
- Key override as standard
- Non handed
- PVD- brushed steel finish

Product Ref:	Function/description	Finishes
9160	Mechanical digital lock c/w hold-back function and tubular mortice latch	SV; PB
9260	Lever operated mechanical code lock c/w tubular mortice latch	SS; PS; PB
9360	Electronic digital code lock c/w tubular mortice latch	PVD-BS

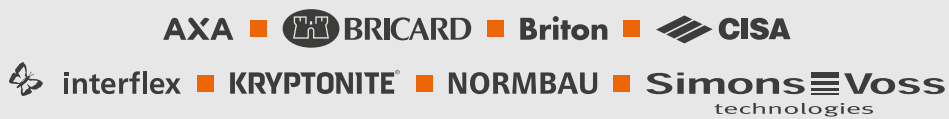
Cl/Sfb	(31.59)	X	
Uniclass	L4181		

May 2018

## About Allegion

Allegion (NYSE: ALLE) is a global pioneer in safety and security, with leading brands like CISA®, Interflex®, LCN®, Schlage® and Von Duprin®. Focusing on security around the door and adjacent areas, Allegion produces a range of solutions for homes, businesses, schools and other institutions. Allegion is a \$2.4 billion company, with products sold in almost 130 countries.

For more, visit [allegion.com](http://allegion.com)



### Allegion (UK) Limited

35 Rocky Lane  
Aston  
Birmingham  
B6 5RQ

Tel: +44 (0) 121 380 2400  
Email: [contactuk@allegion.com](mailto:contactuk@allegion.com)  
Web: [allegion.co.uk](http://allegion.co.uk)